



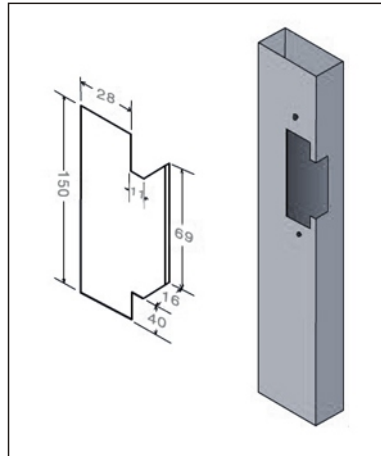
# Electric strike installation instruction

## Installation instructions

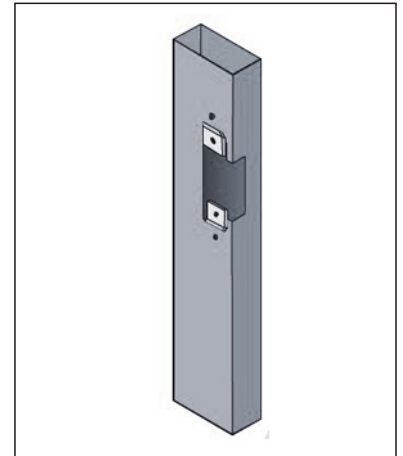
Please check the instruction about the details of installation and corresponding model. The following can only be a reference.



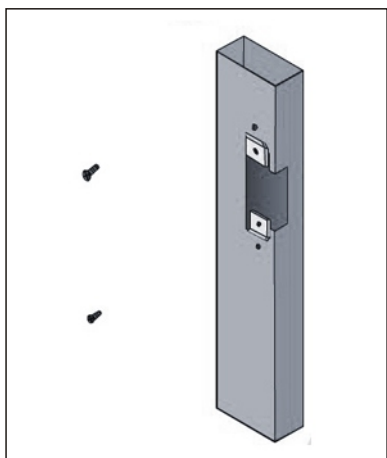
1. Finished



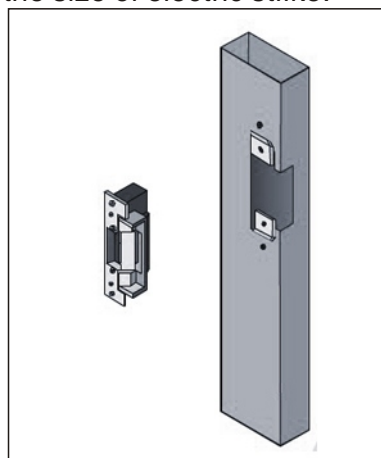
2. Cut the holes according to the size of electric strike.



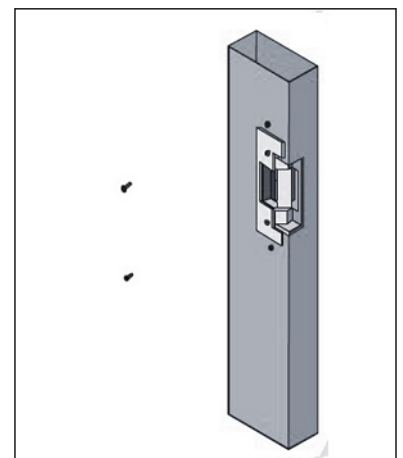
3. Insert the fixing lugs.



4. Fix fixing lugs.

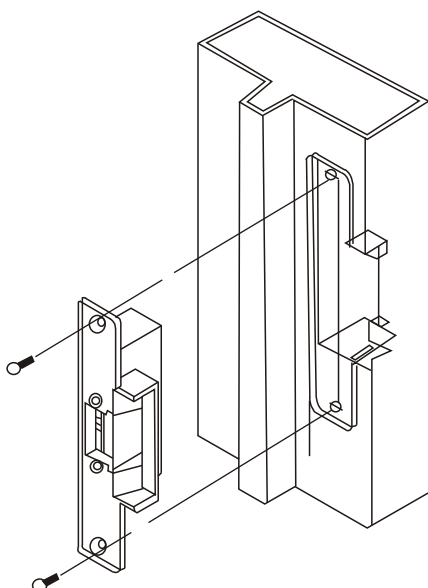


5. Place the electric strike on the cutting holes, connect it to the power and test.

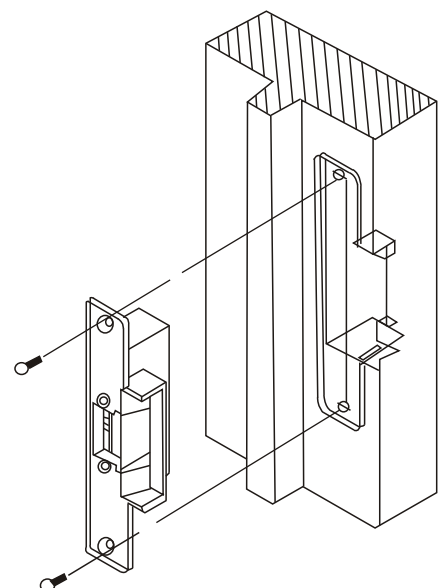


6. Fix the electric strike

## Suitable for



Metal doorframe



Wooden doorframe