



YLI ELECTRONIC

Door Release Button (Stainless steel)

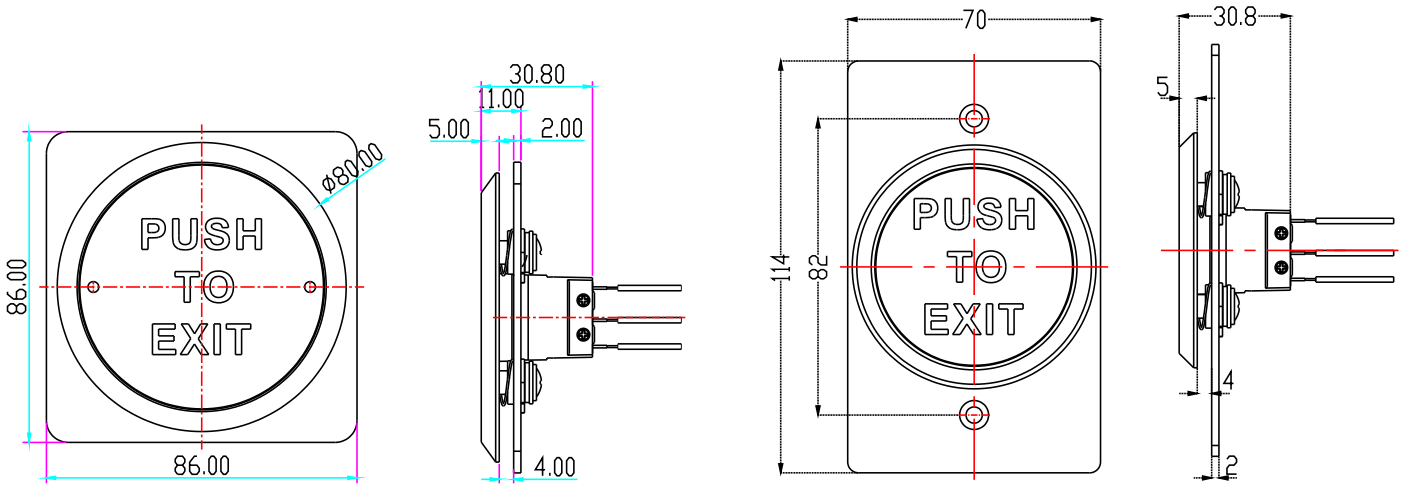
Model: PBK-819A/B



Specification

- Size: 86Lx86xW30.8(mm) (PBK-819A)
114Lx70xW30.8(mm) (PBK-819B)
- Standard Structure: Stainless steel
- Current Rating: 3A@36VDC
- Output Contact: NO(Green),NC(Yellow),COM(White)
- Operating temp: -20℃~+60℃
- Operating Humidity:0~95%RH
- Panel Material: 304 stainless steel panel with wire drawing finish
- Weight: 0.2kg

Dimensional Drawing



PBK-819A

PBK-819B

Installation & Wiring Diagram

